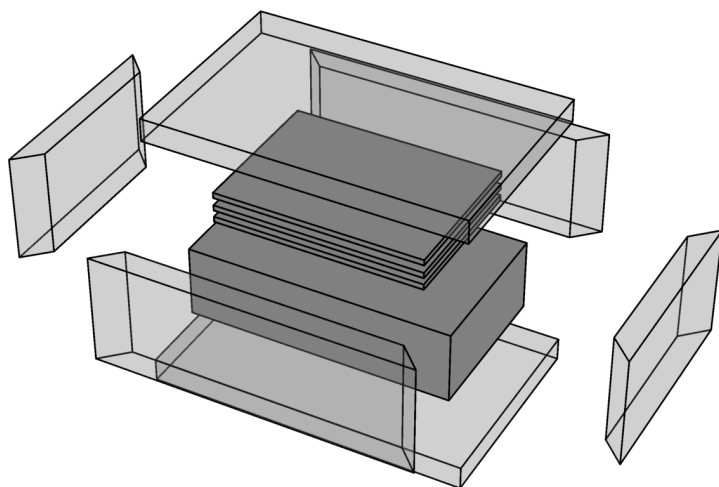


# Simulation Results for K&V - Art. 2020 - Sommer

Created by Ivonsee on 2016-09-22 15:34:20

## Box Summary



|        | Box Dimensions |            |
|--------|----------------|------------|
|        | Outer          | Inner      |
| Length | 545.mm         | 465.mm     |
| Width  | 355.mm         | 275.mm     |
| Height | 270.mm         | 190.mm     |
| Volume | 52.24 ltr.     | 24.30 ltr. |

| Wall   | Thickness [mm] | Transmittance [W/(m <sup>2</sup> K)] | Transmission [W/K]  |
|--------|----------------|--------------------------------------|---------------------|
| Left   | 40.            | 0.9                                  | 0.066645            |
| Right  | 40.            | 0.9                                  | 0.066645            |
| Front  | 40.            | 0.9                                  | 0.105975            |
| Back   | 40.            | 0.9                                  | 0.105975            |
| Bottom | 40.            | 0.9                                  | 0.144608            |
| Top    | 40.            | 0.9                                  | 0.144608            |
|        |                |                                      | <b>Σ = 0.634455</b> |

# Sensor Temperatures

