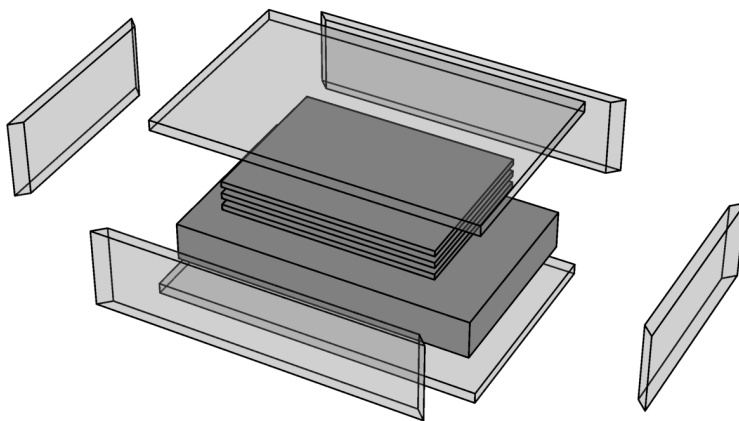


Simulation Results for K&V - Art. 2022 - Frühling, Herbst

Created by Ivonsee on 2016-09-29 14:27:21

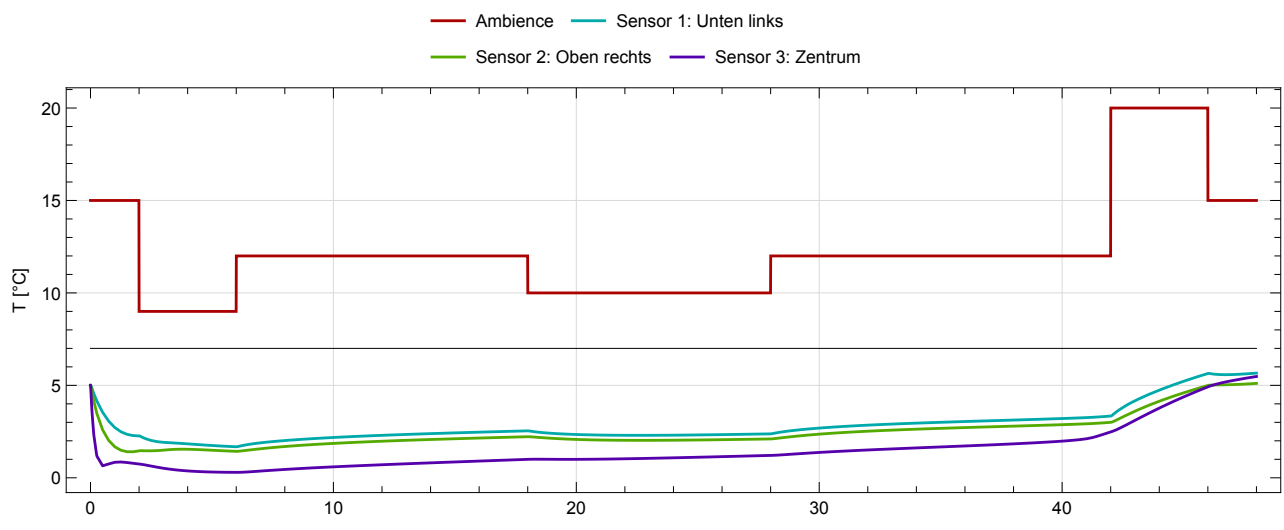
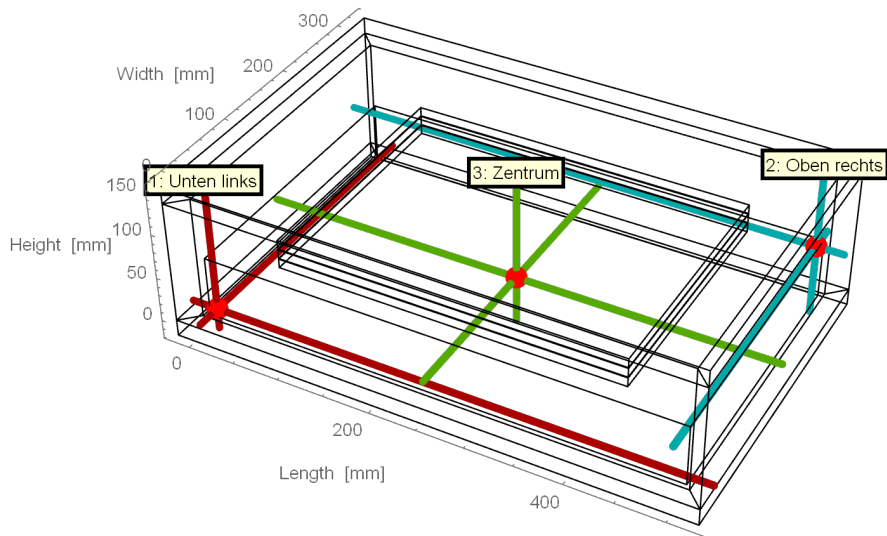
Box Summary



	Box Dimensions	
	Outer	Inner
Length	545.mm	509.mm
Width	350.mm	314.mm
Height	171.mm	135.mm
Volume	32.62 ltr.	21.58 ltr.

Wall	Thickness [mm]	Transmittance [W/(m ² K)]	Transmission [W/K]
Left	18.	2.	0.10224
Right	18.	2.	0.10224
Front	18.	2.	0.16191
Back	18.	2.	0.16191
Bottom	18.	2.	0.350576
Top	18.	2.	0.350576
			Σ = 1.22945

Sensor Temperatures



State Of Charge

