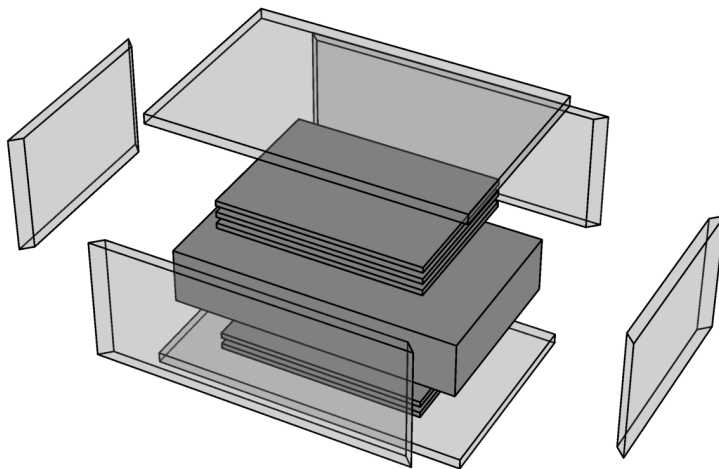


# Simulation Results for K&V - Art. 2024 - Sommer

Created by Ivonsee on 2016-09-30 12:03:31

## Box Summary



	Box Dimensions	
	Outer	Inner
Length	545.mm	509.mm
Width	350.mm	314.mm
Height	250.mm	214.mm
Volume	47.69 ltr.	34.20 ltr.

Wall	Thickness [mm]	Transmittance [W/(m <sup>2</sup> K)]	Transmission [W/K]
Left	18.	2.	0.154696
Right	18.	2.	0.154696
Front	18.	2.	0.245176
Back	18.	2.	0.245176
Bottom	18.	2.	0.350576
Top	18.	2.	0.350576
			<b>Σ = 1.5009</b>

# Sensor Temperatures

