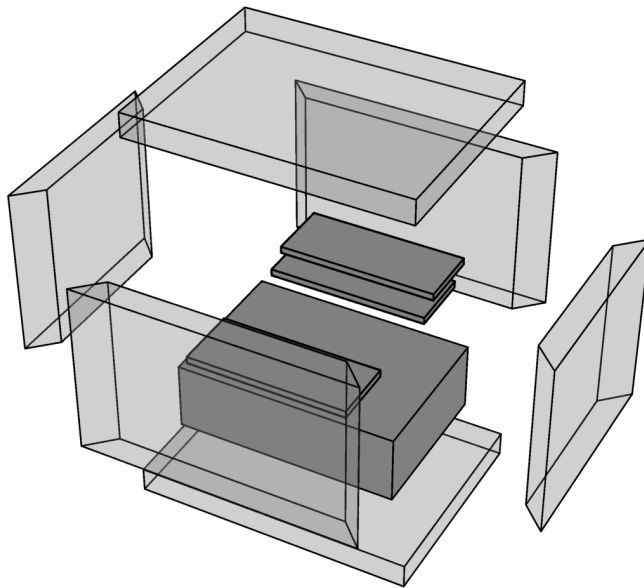


# Simulation Results for K&V - Art. 2060 - Frühling, Herbst

Created by Ivonsee on 2016-10-05 10:38:33

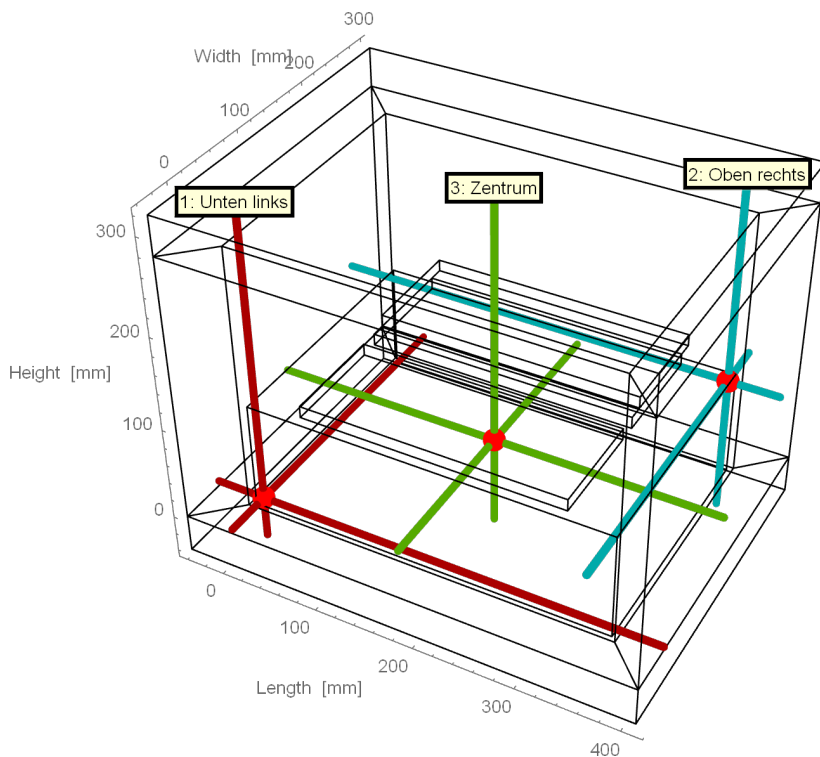
## Box Summary



	Box Dimensions	
	Outer	Inner
Length	450.mm	370.mm
Width	340.mm	260.mm
Height	360.mm	280.mm
Volume	55.08 ltr.	26.94 ltr.

Wall	Thickness [mm]	Transmittance [W/(m <sup>2</sup> K)]	Transmission [W/K]
Left	40.	0.9	0.08784
Right	40.	0.9	0.08784
Front	40.	0.9	0.11952
Back	40.	0.9	0.11952
Bottom	40.	0.9	0.11214
Top	40.	0.9	0.11214
			<b>Σ = 0.639</b>

# Sensor Temperatures



— Ambience    — Sensor 1: Unten links  
— Sensor 2: Oben rechts    — Sensor 3: Zentrum

