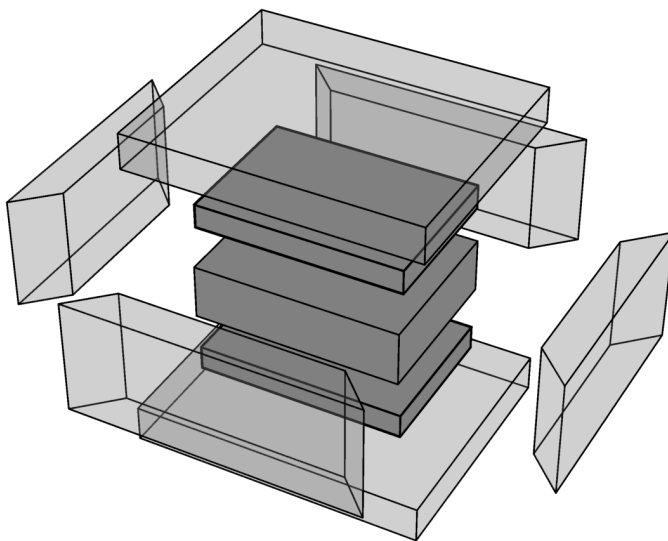


# Simulation Results for K&V - Art. 2105 - Winter

Created by Ivonsee on 2016-09-22 12:17:41

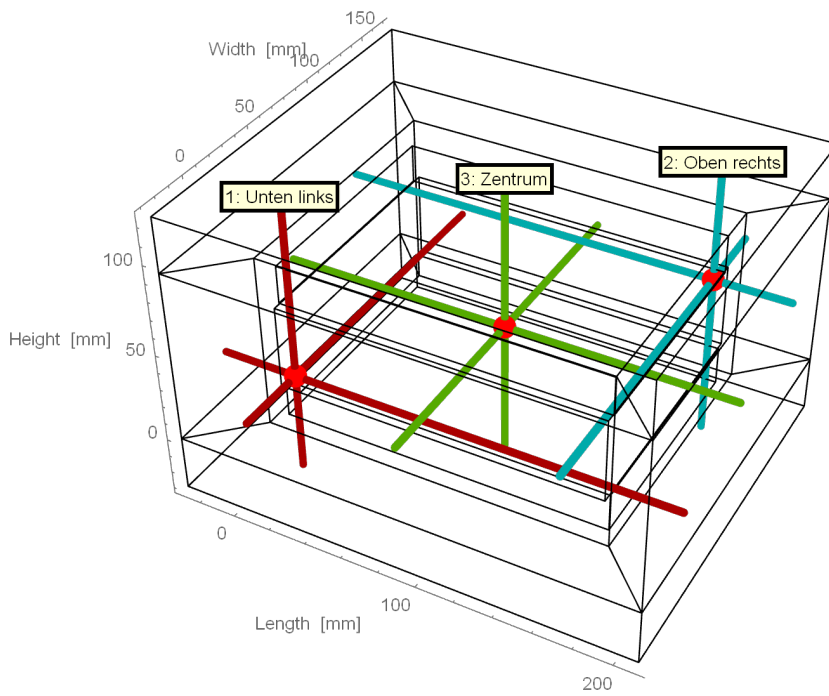
## Box Summary



	Box Dimensions	
	Outer	Inner
Length	240.mm	180.mm
Width	200.mm	140.mm
Height	155.mm	95.mm
Volume	7.44 ltr.	2.39 ltr.

Wall	Thickness [mm]	Transmittance [W/(m²K)]	Transmission [W/K]
Left	30.	1.2	0.02658
Right	30.	1.2	0.02658
Front	30.	1.2	0.03258
Back	30.	1.2	0.03258
Bottom	30.	1.2	0.04392
Top	30.	1.2	0.04392
			<b>Σ = 0.20616</b>

# Sensor Temperatures



— Ambience — Sensor 1: Unten links  
— Sensor 2: Oben rechts — Sensor 3: Zentrum

