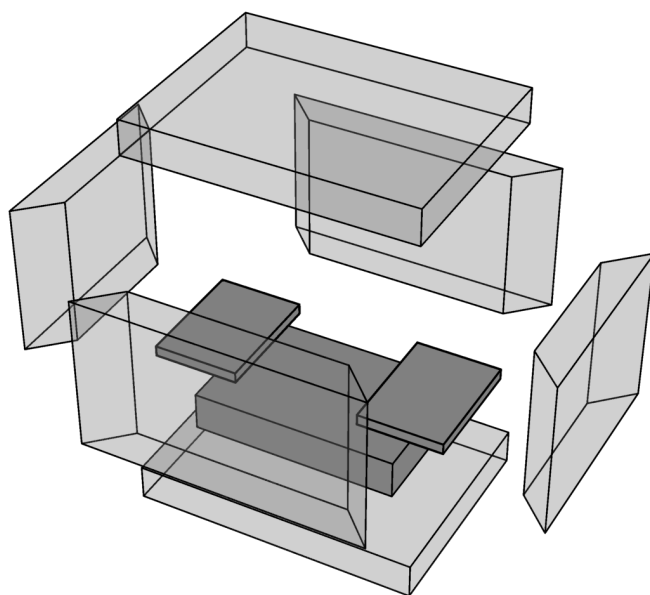


Simulation Results for K&V - Art. 2108 - Frühling, Herbst

Created by Ivonsee on 2016-10-06 09:18:18

Box Summary



| | Box Dimensions | |
|--------|----------------|------------|
| | Outer | Inner |
| Length | 400.mm | 300.mm |
| Width | 300.mm | 200.mm |
| Height | 320.mm | 220.mm |
| Volume | 38.40 ltr. | 13.20 ltr. |

| Wall | Thickness [mm] | Transmittance [W/(m ² K)] | Transmission [W/K] |
|--------|----------------|--------------------------------------|--------------------|
| Left | 50. | 0.72 | 0.0504 |
| Right | 50. | 0.72 | 0.0504 |
| Front | 50. | 0.72 | 0.06984 |
| Back | 50. | 0.72 | 0.06984 |
| Bottom | 50. | 0.72 | 0.0648 |
| Top | 50. | 0.72 | 0.0648 |
| | | | Σ = 0.37008 |

Sensor Temperatures

