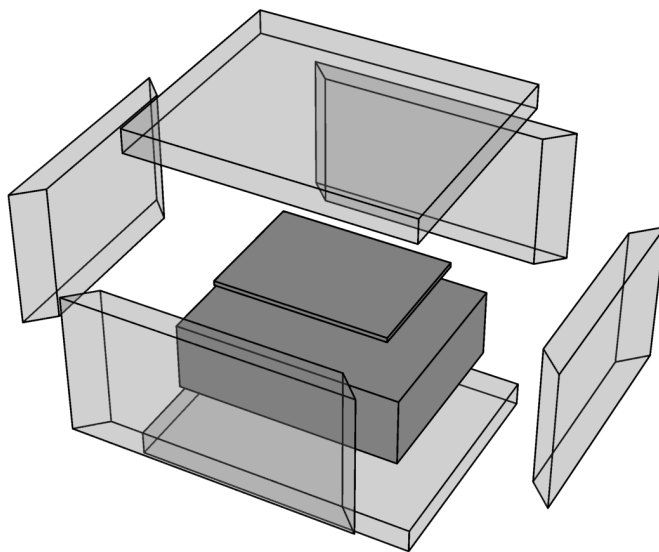


# Simulation Results for K&V - Art. 2262 - Winter

Created by Ivonsee on 2016-10-07 09:46:35

## Box Summary



|        | Box Dimensions |            |
|--------|----------------|------------|
|        | Outer          | Inner      |
| Length | 575.mm         | 475.mm     |
| Width  | 480.mm         | 380.mm     |
| Height | 395.mm         | 295.mm     |
| Volume | 109.02 ltr.    | 53.25 ltr. |

| Wall   | Thickness [mm] | Transmittance [W/(m²K)] | Transmission [W/K]  |
|--------|----------------|-------------------------|---------------------|
| Left   | 50.            | 0.78                    | 0.117663            |
| Right  | 50.            | 0.78                    | 0.117663            |
| Front  | 50.            | 0.78                    | 0.143228            |
| Back   | 50.            | 0.78                    | 0.143228            |
| Bottom | 50.            | 0.78                    | 0.178035            |
| Top    | 50.            | 0.78                    | 0.178035            |
|        |                |                         | <b>Σ = 0.877851</b> |

# Sensor Temperatures

