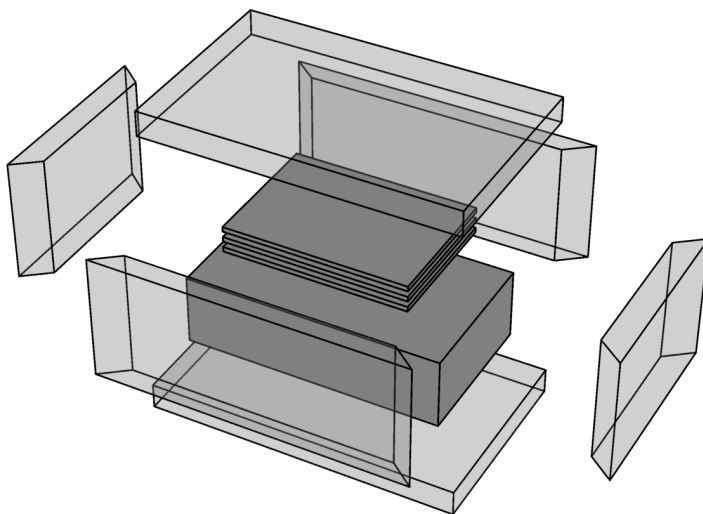


Simulation Results for K&V - Art. 2263 - Sommer

Created by Ivonsee on 2016-10-07 09:51:41

Box Summary



	Box Dimensions	
	Outer	Inner
Length	610.mm	510.mm
Width	380.mm	300.mm
Height	345.mm	245.mm
Volume	79.97 ltr.	37.49 ltr.

Wall	Thickness [mm]	Transmittance [W/(m²K)]	Transmission [W/K]
Left	50.	0.78	0.079794
Right	50.	0.78	0.079794
Front	40.	0.975	0.163507
Back	40.	0.975	0.163507
Bottom	50.	0.78	0.150072
Top	50.	0.78	0.150072
			Σ = 0.786747

Sensor Temperatures

